



METAL CRAFT® CANOPY INSTRUCTIONS

METAL CRAFT® is a registered trademark of METAL CRAFT DOCKS Inc.

TABLE OF CONTENTS

CHAPTER	TITLE	PAGE
1	SAFETY	1
1.1	Introduction	1
1.2	Safety Definitions.....	1
1.3	Canopy Safety Labels.....	1
1.4	Canopy Safety Rules	1
2	INSTALLATION AND SETUP.....	3
2.1	Prior to Setup.....	3
2.2	Installation Procedure.....	3
3	INSPECTION AND MAINTENANCE.....	12
3.1	General Maintenance Rules.....	12
3.2	Storage Procedure	12
4	PARTS LISTS	13
4.1	Canopy Adapter.....	13
4.2	Canopy Post Legs.....	13
4.3	Canopy Bundles	13
4.3.1	Canopy Bundle 24' X 116"	13
4.3.2	Canopy Bundle 24' X 124"	14
4.3.3	Canopy Bundle 26' X 116"	14
4.3.4	Canopy Bundle 26' X 124"	14
4.3.5	Canopy Bundle 28' X 116"	15
4.3.6	Canopy Bundle 28' X 124"	15
4.3.7	Canopy Bundle 30' X 116"	15
4.3.8	Canopy Bundle 30' X 124"	16
4.3.9	Canopy Bundle 32' x 124"	16
4.3.10	Canopy Bundle 34' x 124"	16
4.4	Canopy Carton of Parts and Bag of Bolts 18'-24'	17
4.4.1	Carton of Parts.....	17
4.5	Canopy Carton of Parts and Bag of Bolts 26'-28'	17
4.5.1	Carton of Parts.....	17
4.6	Canopy Carton of Parts and Bag of Bolts 30-34'	18
4.6.1	Carton of Parts.....	18
	LIMITED WARRANTY	

LIST OF FIGURES

FIGURE	TITLE	PAGE
2-1	Canopy Adapter Assembly 110"	3
2-2	Canopy Adapter Assembly 122"	4
2-3	Canopy Adapter Assembly 115"	4
2-4	Side Stringer Assembly	4
2-5	Mounting the Stringers	5
2-6	Mounting the Canopy Braces	6
2-7	Mounting the End Caps, Plastic Caps, and Canopy Ribs	7
2-8	Mounting the Center Bands	7
2-9	Velcro Strip Installation	8
2-10	Mounting the Canopy Fabric	9
2-11	Mounting the Bungee Hooks	9
2-12	Complete Canopy Framework	10

1 SAFETY

1.1 INTRODUCTION

Your Metalcraft® Canopy has been engineered to provide long term boat protection and safety advantages that no other type can match. However, even a well-designed and well-built canopy kit can malfunction or become hazardous in the hands of an inexperienced and/or untrained user. Therefore, read this manual and related equipment manuals thoroughly before installing your canopy to provide maximum safety for all personnel, and to get the maximum benefit from your equipment.

METAL CRAFT® is a registered trademark of METAL CRAFT DOCKS Inc.



WARNING:

DO NOT INSTALL THIS CANOPY WITHOUT STUDYING THIS ENTIRE MANUAL AND THE MANUAL FOR THE LIFT ONTO WHICH IT IS BEING MOUNTED. FAILURE TO DO THIS CAN LEAD TO EQUIPMENT MISUSE WITH RESULTING DAMAGE AND/OR SERIOUS PERSONAL INJURY. CONTACT YOUR RGC® MARINE DEALER IF YOU HAVE ANY QUESTIONS.

1.2 SAFETY DEFINITIONS

A safety message alerts you to potential hazards that could hurt you or others or cause property damage. The safety messages or signal words for product safety signs are **DANGER**, **WARNING**, and **CAUTION**. Each safety message is preceded by a safety alert symbol and is defined as follows:

DANGER: Indicates an imminently hazardous situation which, if not avoided, **will** cause death or serious injury. This safety message is limited to the most extreme situations.

WARNING: Indicates a potentially hazardous situation which, if not avoided, **could** result in death or serious injury.

CAUTION: Indicates a potentially hazardous situation which, if not avoided, **may** result in minor or moderate injury. It may also be used to alert against unsafe practices and property-damage-only accidents.

1.3 CANOPY SAFETY LABELS

These labels warn you of potential hazards that could cause injury. Read them carefully. If a label comes off or becomes illegible, contact Metalcraft® Docks for a replacement.

1.4 CANOPY SAFETY RULES

1. Do not install the canopy if it shows any signs of damage.
2. Do not weld or otherwise modify any part of the canopy kit. Such alterations may weaken the structural integrity of the canopy installation and void the warranty.
3. Immediately replace any parts found to be defective.
4. Do not use any part of the canopy kit for anything other than its designed purpose.
5. Do not try to install the canopy under the influence of drugs, alcohol, or medication.
6. Insure that the lift frame is level and square before installing the canopy.
7. Do not install the canopy in rough water conditions.
8. Keep people and pets clear during installation of the canopy.

9. The following precautions must be observed when lifting any part of this equipment:
 - a. Be sure of your footing.
 - b. Bend your knees and lift with your legs.
 - c. Hold the equipment section close to your body when lifting.
10. Do not stand or climb on any part of the lift when installing the canopy.
11. If your lift is equipped with a handwheel, never reach through the spokes of the handwheel to perform any installation or maintenance on the canopy. If the handwheel starts to spin freely, do not try to stop it. This can cause serious injury.
12. Do not try operating the lift while installing or adjusting the canopy.
13. When installing the canopy, insure that all nuts and bolts are tightened securely.
14. Anchor a canopy-equipped lift to the lake bottom to prevent high winds from toppling it. This protection is especially important when the boat does not weigh down the lift.

2 INSTALLATION AND SETUP

2.1 PRIOR TO SETUP

1. Examine your canopy upon receipt and check that it is complete and undamaged. Refer to the parts lists in Chapter 3. Report any shipping damage on the delivery receipt and contact the delivering carrier to file a damaged freight claim. Do not install the canopy if it shows any signs of damage.
2. Read and know the instructions and insure that everyone understands the proper installation procedure.
3. Do not install the canopy under the influence of drugs, alcohol, or medication.
4. Do not try to install the canopy in rough water conditions or high winds.
5. Insure that the lift frame is square and that the lift sets level.

2.2 INSTALLATION PROCEDURE

The part reference numbers used in the subassembly drawings of this section are the same as those listed in the parts lists of Chapter 4.

M4000-110 LIFT

1. Refer to **Figure 2-1**. Install canopy adapter to the canopy post legs. The post legs are predrilled for the canopy adapter.
2. Use the 3/8" bolt (detail 103) and nut (detail 104) to attach the canopy adapter.

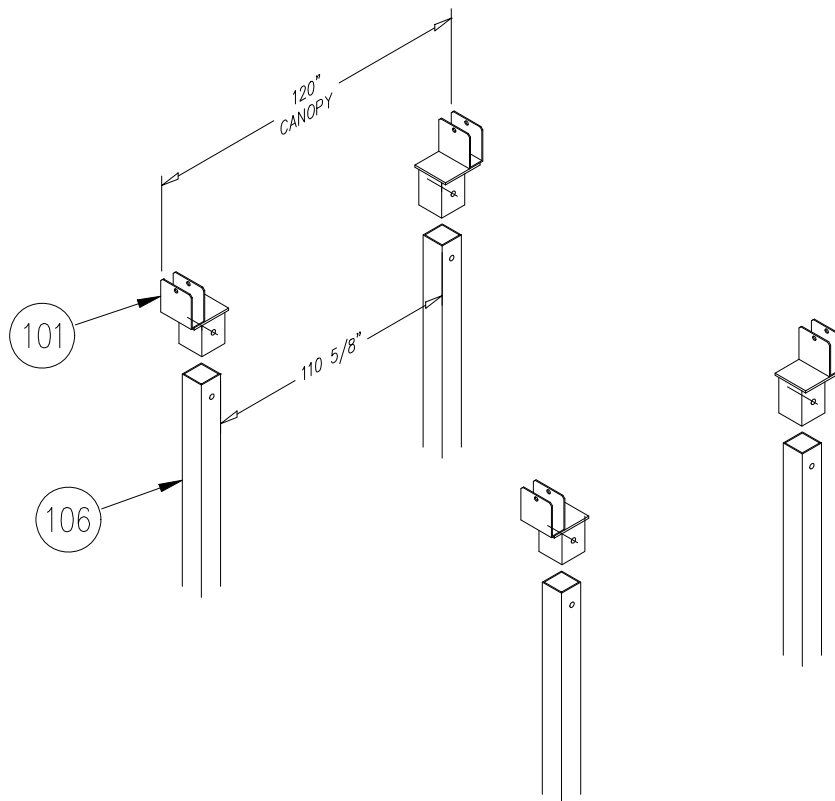


Figure 2-1
M4000-110 Canopy Adapter Assembly

M4000-122 & M5000-122 LIFT

1. Refer to **Figure 2-2**. Install canopy adapter to the canopy post legs. The post legs are predrilled for the canopy adapter.
2. Use the 3/8" bolt (detail 103) and nut (detail 104) to attached the canopy adapter.

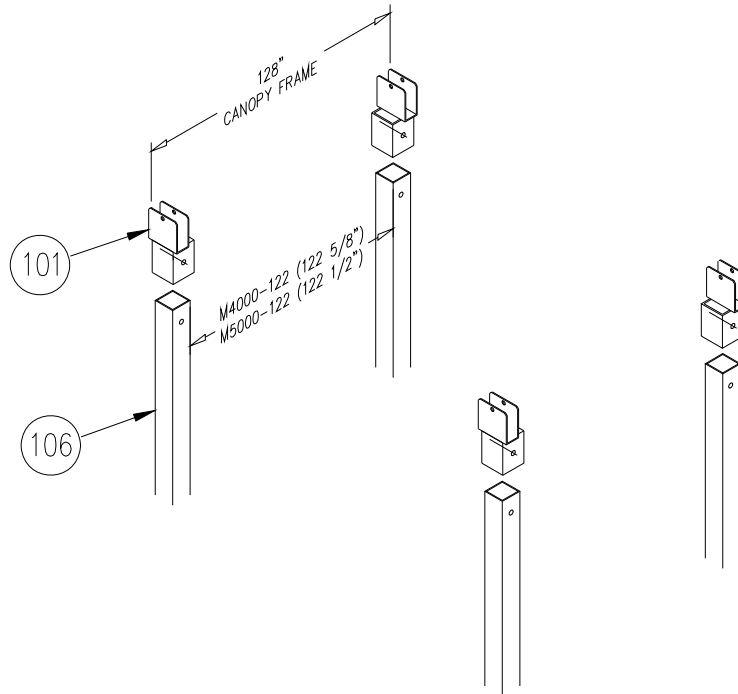


Figure 2-2
M4000-122 & M5000-122 Canopy Adapter Assembly

M5000-115 LIFT

1. Refer to **Figure 2-3**. Install canopy adapter to the canopy extension legs. The post legs are predrilled for the canopy adapter.
2. Use the 3/8" bolt (detail 103) and nut (detail 104) to attached the canopy adapter.

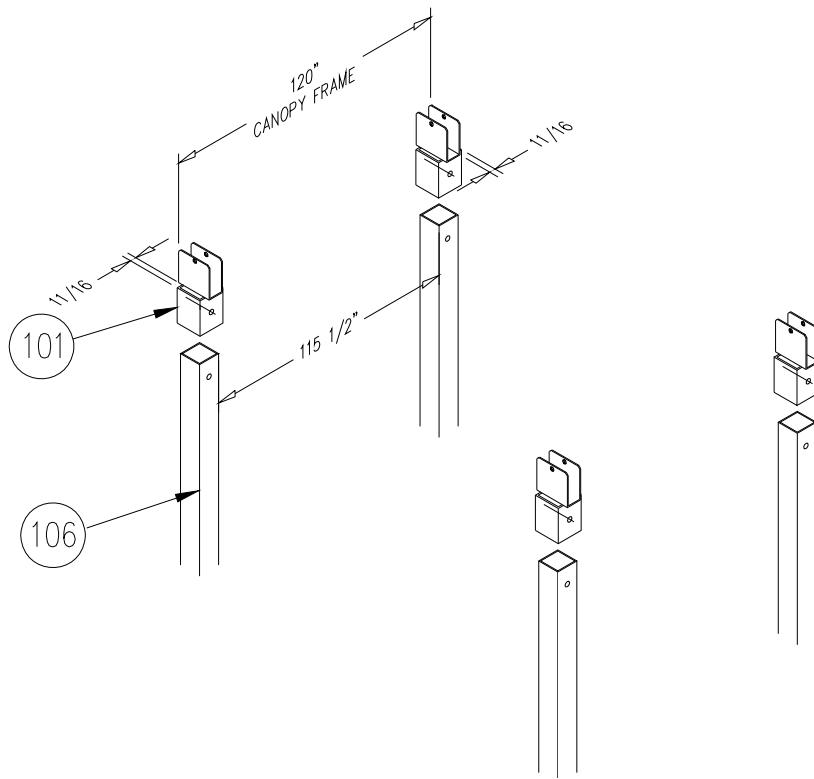


Figure 2-3
M5000-115 Canopy Adapter Assembly

3. Refer to **Figure 2-4**. Assemble (2) sides of your canopy frame on the ground using (1) left hand, right hand and center stringer for each side assembly. Fasten each joint together with (2) three hole plates and hardware shown. Each stringer assembly **MUST** be straight for proper fabric fitting. (NOTE: The VL1200 does not have a center stringer.)

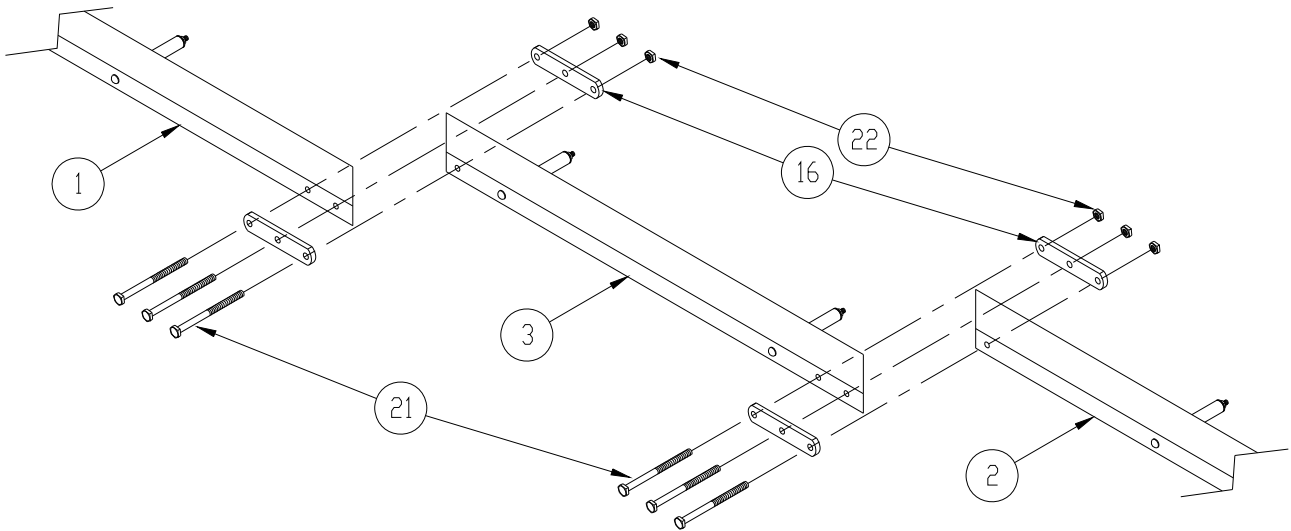


Figure 2-4
Canopy Side Frame Assembly

4. Refer to **Figure 2-5**. Mount the assembled stringers to top of canopy extension legs on each side of lift. Position the stringers such that the canopy protects the entire length of the boat and fasten in place with hardware shown.

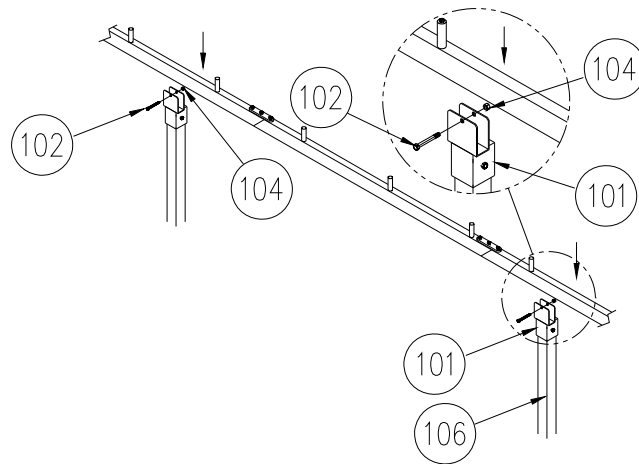


Figure 2-5
Mount the Stringer Assembly

5. Refer to **Figure 2-6**. Attach the canopy braces at the bow end of the lift. Insure the stringers are level and at the desired position before tightening the bolts. Note that the braces are supplied only with 21 foot and longer canopies. For 26 foot and longer canopies, an additional pair of braces is supplied. Install the longer braces on the canopy side with the greatest overhang, which is usually the bow end of lift.

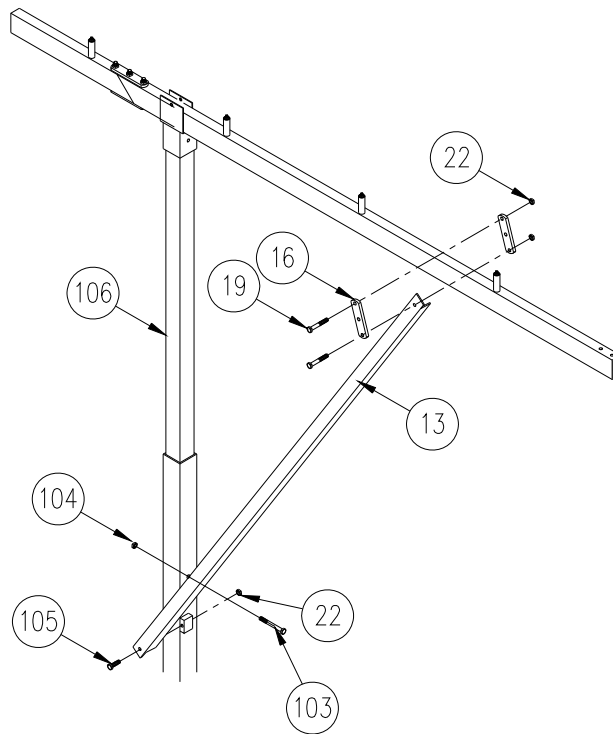


Figure 2-6
Canopy Side Frame Assembly

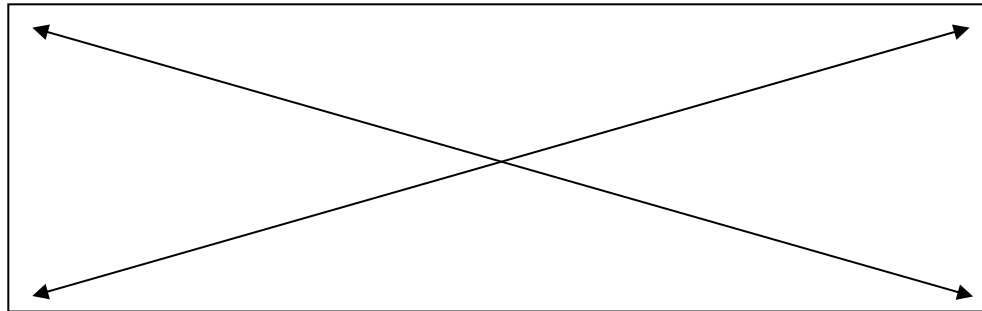


CAUTION:
CANOPY FRAME MUST BE SQUARE TO PREVENT DAMAGE AND/OR IMPROPER FITTING OF CANOPY FABRIC UPON INSTALLATION.

6. Refer to **Figure 2-7**. Attach each canopy end cap to the side stringers using (1) top gusset, bottom gusset, and hardware shown for each corner connection. Before tightening hardware, square the canopy frame by placing a carpenter or

combination square into each corner and positioning canopy stringers and end caps to provide a 90 degree corner joint. Tighten hardware to lock into position.

7. Verify canopy frame is square by measuring the diagonal distance from the outside of canopy frame corner to opposite corner. Repeat for alternate corners. The **difference between the two measurements shall not exceed 1/4 of an inch.** Repeat steps 5 and 6 if necessary.



Canopy Frame Diagonal Measurement Diagram
(Measure to Outside Corners)

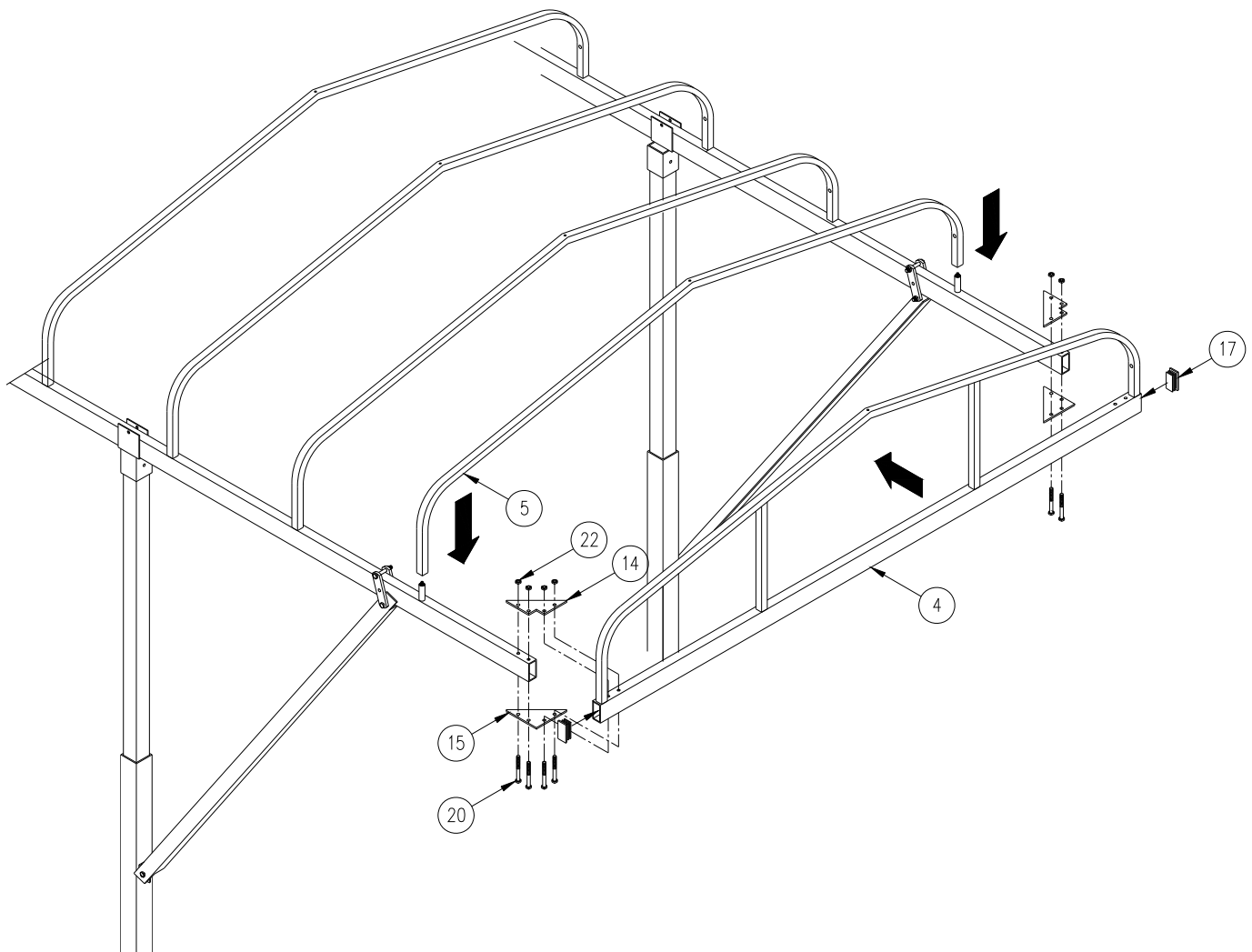


Figure 2-7.
Mounting the End Caps, Plastic Caps, and Canopy Ribs

8. Install plastic caps into the canopy frame end caps to prevent fabric abrasion.

9. Install the canopy ribs by sliding them onto the side stringer studs.
10. Refer to **Figure 2-8**. Assemble (2) end and (1) mid center band on top of the ribs with hardware shown. This will provide a uniform lay of the fabric. At center band, splice connections that do not meet at a rib. Use shorter hardware shown.

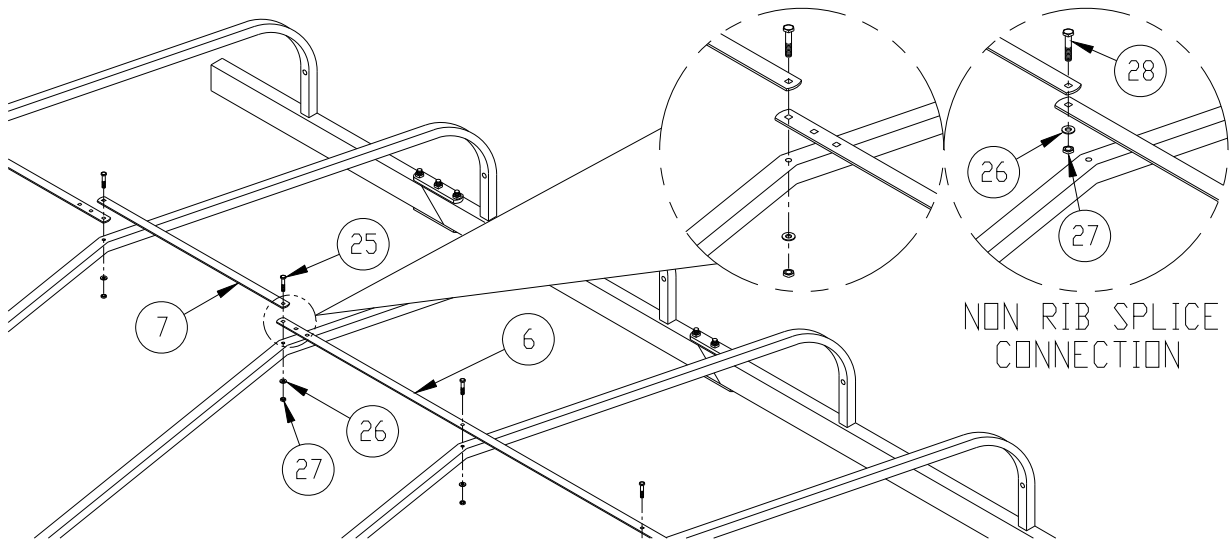


Figure 2-8.
Mounting the Center Bands

11. Refer to **Figure 2-9**. Clean the top of the canopy ribs and carriage bolt head (about 2 inches longer than Velcro cut length each side of bolt) with cloth dampened in rubbing alcohol. Allow to dry.
12. Cut supplied Velcro material per cutting chart below.
13. Remove peel-off backing of Velcro strips to expose adhesive.
14. Position center of Velcro strip over carriage bolt head in line with canopy rib.
15. Press down firmly over entire length of Velcro strip to secure it to bolt head and rib.

VELCRO CUTTING CHART

Canopy Length	Quantity	Velcro Cut Length
15'	9	8"
18'	10	7"
21'	12	6"
24'	14	5"
26'	14	5"
28'	16	4.5"
30'	17	4"

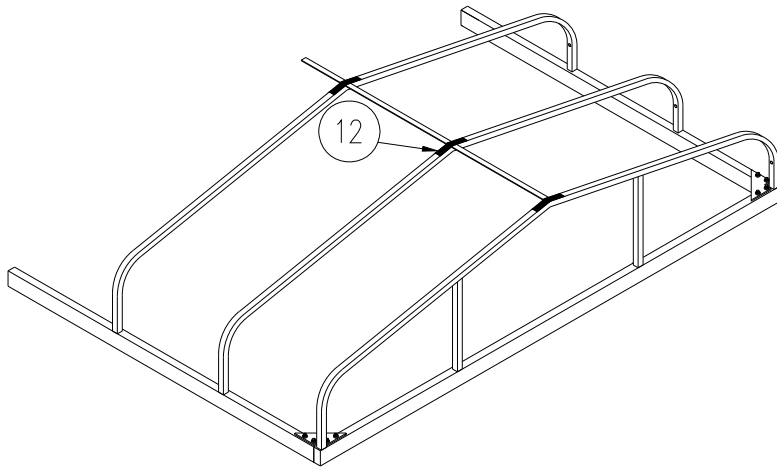


Figure 2-9.
Velcro Strip Installation

16. Refer to **Figure 2-10**. Place the canopy fabric bundle on top of the canopy frame and unfold down the length of the frame; then unfold across the width. Pull fabric snugly over the frame.

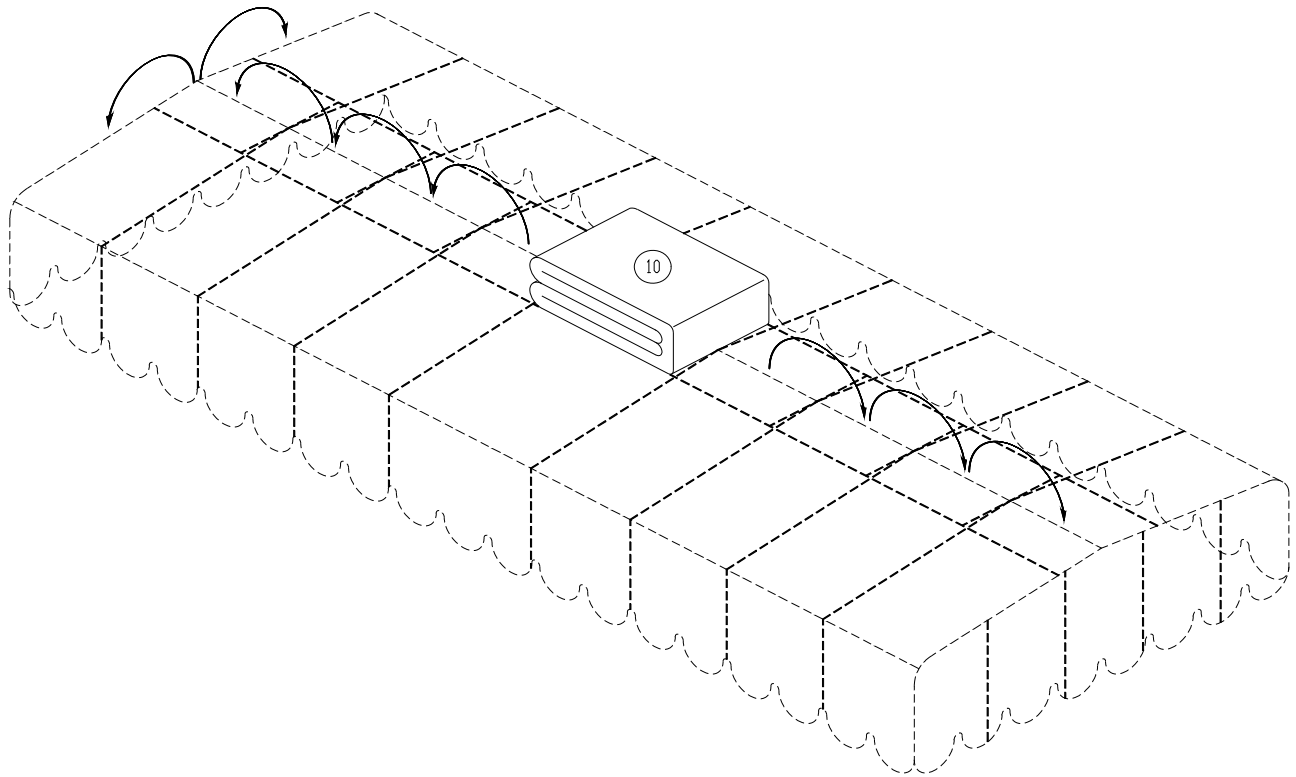


Figure 2-10.
Mounting Canopy Fabric

17. Refer to **Figure 2-11**. Wrap a bungee cord around the ring in the tie down strap and thread hook end through loop. Attach hook end to hole in canopy rib as shown.

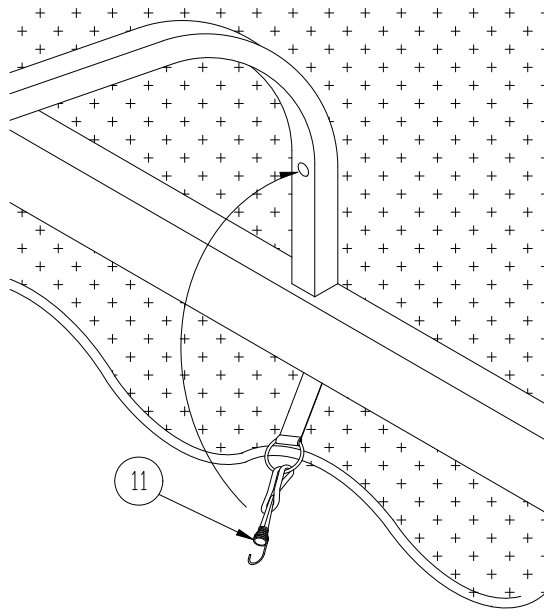


Figure 2-11
Mounting the Bungee Hooks

18. Refer to **Figure 2-12**. Insure that the canopy is positioned at the desired location in relation to the boat.
19. Once the canopy is installed, take special care in areas prone to high wind to anchor and stabilize the lift.
19. Attach the (8) additional bungees at the corners, (2) per corner.



WARNING:

HIGH WINDS CAN TOPPLE A CANOPY-EQUIPPED LIFT THAT IS NOT PROPERLY ANCHORED TO THE LAKE BOTTOM, ESPECIALLY WHEN THE BOAT IS NOT WEIGHING DOWN THE LIFT. THIS CAN CAUSE EQUIPMENT DAMAGE AND/OR PERSONAL INJURY.

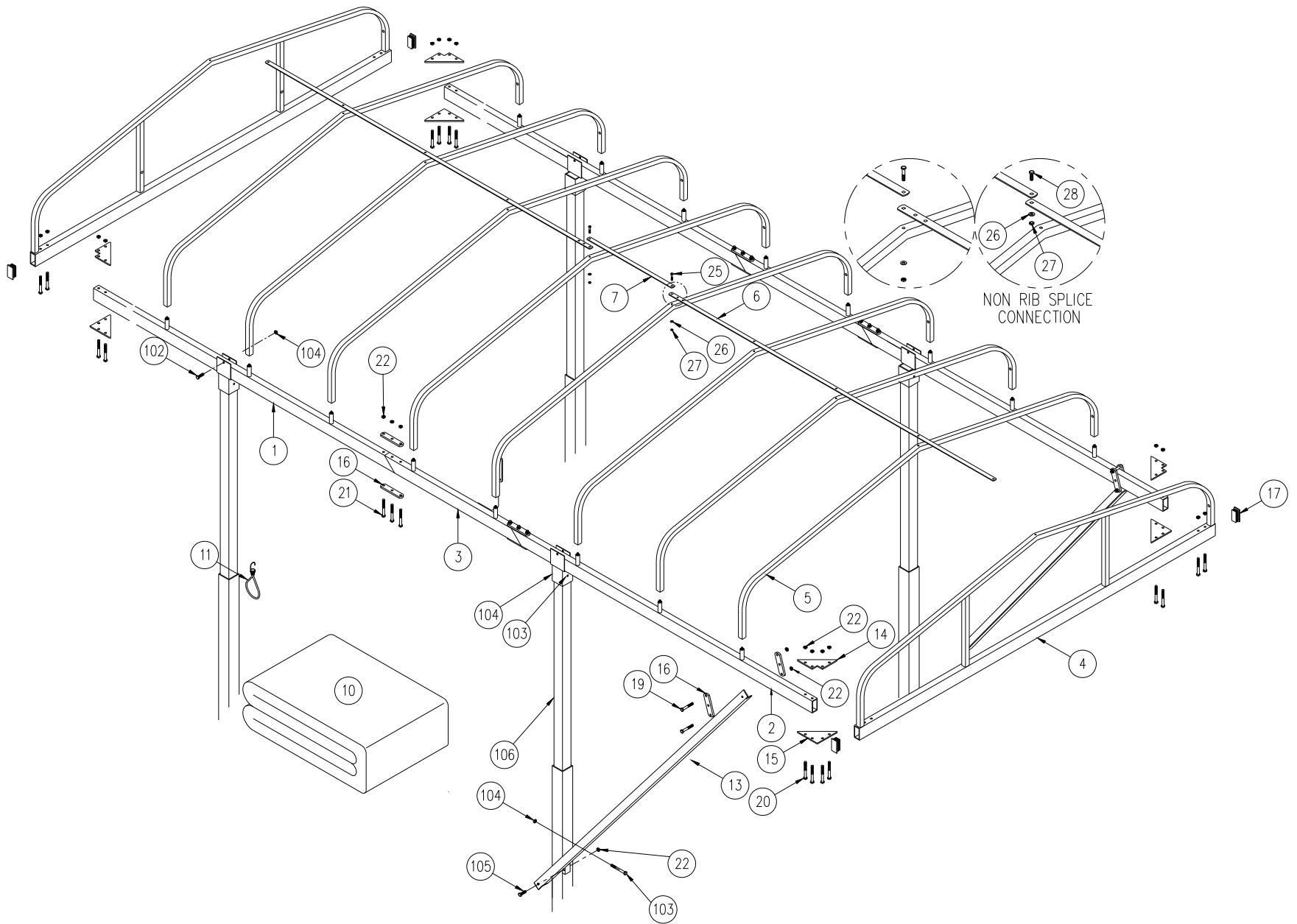


Figure 2-12.
Complete Canopy Framework 116" & 124"

3 INSPECTION AND MAINTENANCE

3.1 GENERAL MAINTENANCE RULES

1. Do not stand or climb on any part of the lift when doing maintenance on the canopy.
2. If your lift is equipped with a handwheel, never reach through the spokes of the handwheel to perform any maintenance on the canopy. If the handwheel starts to spin freely, do not try to stop it. This can cause serious injury.
3. Do not let anybody operate the lift while doing maintenance on the canopy.
4. Check canopy regularly for defects. Do not continue using the canopy if it shows any signs of damage. Tighten all bolts at this time.
5. The canopy fabric should be cleaned regularly before substances such as dirt or bird droppings are allowed to accumulate and become embedded in the fabric. To clean, brush off any loose dirt, clean and hose down with a MILD solution of natural soap in lukewarm water (no warmer than 100°F), and rinse thoroughly to remove the soap. Do NOT use detergents. Allow canopy to air dry. It is not necessary to remove the canopy when cleaning it.

3.2 STORAGE PROCEDURE

1. Protect your canopy as far as possible from damage caused by environmental factors such as airborne fallout, chemicals, tree sap, and weather hazards.
2. Do not leave the fabric on the framework during off-season. The framework and fabric are not designed to handle top loading such as wet leaves or snow.
3. Store in a cool, dry place. Do not put the fabric away wet or dirty. Protect it by storing it in the original plastic bag.

4 PARTS LISTS

Each reference number in the following parts lists can be matched with the reference number referred to in both the text and illustrations of Chapter 2, Installation and Setup.

4.1 CANOPY ADAPTER

4.1.1 #3609710 Canopy Adapter Kit 110" wide lift

REF #	PART #	QTY	DESCRIPTION
101	3609803	4	CANOPY SUPPORT BRACKET 110"
Ref	6112190	1	METAL CRAFT® CANOPY INSTRUCTIONS
	3609801	1	CANOPY ADAPTER BAG OF BOLTS <i>Consisting of:</i>
102	5806253	4	HHCS 3/8-16 X 2-1/2
103	5806257	8	HHCS 3/8-16 X 3-1/2
104	5806141	16	3/8-16 NYLOCK HEX NUT
105	5806250	4	HHCS 3/8-16 X 1-3/4

4.1.2 #3609715 Canopy Adapter Kit 115" wide lift

REF #	PART #	QTY	DESCRIPTION
101	3609805	4	CANOPY SUPPORT BRACKET 115"
Ref	6112190	1	METAL CRAFT® CANOPY INSTRUCTIONS
	3609801	1	CANOPY ADAPTER BAG OF BOLTS <i>Consisting of:</i>
102	5806253	4	HHCS 3/8-16 X 2-1/2
103	5806257	8	HHCS 3/8-16 X 3-1/2
104	5806141	16	3/8-16 NYLOCK HEX NUT
105	5806250	4	HHCS 3/8-16 X 1-3/4

4.1.3 #3609722 Canopy Adapter Kit 122" wide lift

REF #	PART #	QTY	DESCRIPTION
101	3609807	4	CANOPY SUPPORT BRACKET 122"
Ref	6112190	1	METAL CRAFT® CANOPY INSTRUCTIONS
	3609801	1	CANOPY ADAPTER BAG OF BOLTS <i>Consisting of:</i>
102	5806253	4	HHCS 3/8-16 X 2-1/2
103	5806257	8	HHCS 3/8-16 X 3-1/2
104	5806141	16	3/8-16 NYLOCK HEX NUT
105	5806250	4	HHCS 3/8-16 X 1-3/4

4.2 CANOPY EXTENSION POST LEGS

REF #	PART #	QTY	DESCRIPTION
106	REF	4	CANOPY POST LEGS 2-1/2 SQ X 4' (STANDARD) (OPTIONAL 2-1/2 SQ X 6' CANOPY POST LEGS AVAILABLE)

4.3 CANOPY BUNDLES

4.3.1 #3603609 Canopy Bundle 24' X 116"

REF #	PART #	QTY	DESCRIPTION
1	3603566	2	CANOPY END STRINGER ASSY RH 88"
2	3603567	2	CANOPY END STRINGER ASSY LH 88"
3	3603578	2	CANOPY CENTER STRINGER 24'
4	3603574	2	CANOPY END CAP 116"
5	3603573	12	CANOPY RIB 116"
6	3603582	2	CANOPY END CENTER BAND 95"
7	3603585	1	CANOPY MIDDLE CENTER BAND 101"
8	3623930	4	CANOPY EXTENSION LEG 4'

13	3603594	2	CANOPY BRACE 84"
	3603616	1	CANOPY CARTON OF PARTS 18'-24' (SEE SECTION 4.3.1)
	as ordered	1	CANOPY FABRIC/BUNGEE CARTON 24' X 116" Consisting of:
10	as ordered	1	CANOPY FABRIC 24' X 116"
11	6436905	8	CANOPY CORNER BUNGEE CORD 9"
12	6403599	1	CANOPY VELCRO 6 FT. STRIP

4.3.2 #3603547 Canopy Bundle 24' X 124"

REF #	PART #	QTY	DESCRIPTION
1	3603566	2	CANOPY END STRINGER ASSY RH 88"
2	3603567	2	CANOPY END STRINGER ASSY LH 88"
3	3603578	2	CANOPY CENTER STRINGER 24'
4	3603640	2	CANOPY END CAP 124"
5	3603599	12	CANOPY RIB 124"
6	3603582	2	CANOPY END CENTER BAND 95"
7	3603585	1	CANOPY MIDDLE CENTER BAND 101"
8	3623930	4	CANOPY EXTENSION LEG 4'
13	3603594	2	CANOPY BRACE 84"
	3603616	1	CANOPY CARTON OF PARTS 18'-24' (SEE SECTION 4.3.1)
	as ordered	1	CANOPY FABRIC/BUNGEE CARTON 24' X 124" Consisting of:
10	as ordered	1	CANOPY FABRIC 24' X 124"
11	6436905	8	CANOPY CORNER BUNGEE CORD 9"
12	6403599	1	CANOPY VELCRO 6 FT. STRIP

4.3.3 #3603635 Canopy Bundle 26' X 116"

REF #	PART #	QTY	DESCRIPTION
1	3603545	2	CANOPY END STRINGER ASSY RH 100"
2	3603546	2	CANOPY END STRINGER ASSY LH 100"
3	3603571	2	CANOPY CENTER STRINGER 26'
4	3603574	2	CANOPY END CAP 116"
5	3603573	12	CANOPY RIB 116"
6	3603568	2	CANOPY END CENTER BAND 107-1/2"
7	3603572	1	CANOPY MIDDLE CENTER BAND 98-1/2"
8	3623930	4	CANOPY EXTENSION LEG 4'
13	3603594	2	CANOPY BRACE 84"
13	3605953	2	CANOPY BRACE 108"
	3603716	1	CANOPY CARTON OF PARTS 26'-28' (SEE SECTION 4.4.1)
	as ordered	1	CANOPY FABRIC/BUNGEE CARTON 26' X 116" Consisting of:
10	as ordered	1	CANOPY FABRIC 26' X 116"
11	6436905	8	CANOPY CORNER BUNGEE CORD 9"
12	6403599	1	CANOPY VELCRO 6 FT. STRIP

4.3.4 #3603548 Canopy Bundle 26' X 124"

REF #	PART #	QTY	DESCRIPTION
1	3603545	2	CANOPY END STRINGER ASSY RH 100"
2	3603546	2	CANOPY END STRINGER ASSY LH 100"
3	3603571	2	CANOPY CENTER STRINGER 26'
4	3603640	2	CANOPY END CAP 124"
5	3603599	12	CANOPY RIB 124"

6	3603568	2	CANOPY END CENTER BAND 107-1/2"
7	3603572	1	CANOPY MIDDLE CENTER BAND 98-1/2"
8	3623930	4	CANOPY EXTENSION LEG 4'
13	3603594	2	CANOPY BRACE 84"
13	3605953	2	CANOPY BRACE 108"
	3603716	1	CANOPY CARTON OF PARTS 26'-28' (SEE SECTION 4.4.1)
	as ordered	1	CANOPY FABRIC/BUNGEE CARTON 26' X 124" Consisting of:
10	as ordered	1	CANOPY FABRIC 26' X 124"
11	6436905	8	CANOPY CORNER BUNGEE CORD 9"
12	6403599	1	CANOPY VELCRO 6 FT. STRIP

4.3.5 #3603632 Canopy Bundle 28' X 116"

REF #	PART #	QTY	DESCRIPTION
1	3603932	2	CANOPY END STRINGER ASSY RH 115"
2	3603933	2	CANOPY END STRINGER ASSY LH 115"
3	3603578	2	CANOPY CENTER STRINGER 24'
4	3603574	2	CANOPY END CAP 116"
5	3603573	14	CANOPY RIB 116"
6	3603643	2	CANOPY END CENTER BAND 120"
7	3603585	1	CANOPY MIDDLE CENTER BAND 101"
8	3623930	4	CANOPY EXTENSION LEG 4'
13	3603594	2	CANOPY BRACE 84"
13	3605953	2	CANOPY BRACE 108"
	3603716	1	CANOPY CARTON OF PARTS 26'-28' (SEE SECTION 4.4.1)
	as ordered	1	CANOPY FABRIC/BUNGEE CARTON 28' X 116" Consisting of:
10	as ordered	1	CANOPY FABRIC 28' X 116"
11	6436905	8	CANOPY CORNER BUNGEE CORD 9"
12	6403599	1	CANOPY VELCRO 6 FT. STRIP

4.3.6 #3603631 Canopy Bundle 28' X 124"

REF #	PART #	QTY	DESCRIPTION
1	3603932	2	CANOPY END STRINGER ASSY RH 115"
2	3603933	2	CANOPY END STRINGER ASSY LH 115"
3	3603578	2	CANOPY CENTER STRINGER 24'
4	3603640	2	CANOPY END CAP 124"
5	3603599	14	CANOPY RIB 124"
6	3603643	2	CANOPY END CENTER BAND 120"
7	3603585	1	CANOPY MIDDLE CENTER BAND 101"
8	3623930	4	CANOPY EXTENSION LEG 4'
13	3603594	2	CANOPY BRACE 84"
13	3605953	2	CANOPY BRACE 108"
	3603716	1	CANOPY CARTON OF PARTS 26'-28' (SEE SECTION 4.4.1)
	as ordered	1	CANOPY FABRIC/BUNGEE CARTON 28' X 124" Consisting of:
10	as ordered	1	CANOPY FABRIC 28' X 124"
11	6436905	8	CANOPY CORNER BUNGEE CORD 9"
12	6403599	1	CANOPY VELCRO 6 FT. STRIP

4.3.7 #3603630 Canopy Bundle 30' X 116''

REF #	PART #	QTY	DESCRIPTION
1	3603932	2	CANOPY END STRINGER ASSY RH 115''
2	3603933	2	CANOPY END STRINGER ASSY LH 115''
3	3603570	2	CANOPY CENTER STRINGER 30'
4	3603574	2	CANOPY END CAP 116''
5	3603573	15	CANOPY RIB 116''
6	3603643	2	CANOPY END CENTER BAND 120''
7	3603588	1	CANOPY MIDDLE CENTER BAND 121-1/2''
8	3623930	4	CANOPY EXTENSION LEG 4'
13	3603594	2	CANOPY BRACE 84''
13	3605953	2	CANOPY BRACE 108''
	3603717	1	CANOPY CARTON OF PARTS 30' (SEE SECTION 4.5.1)
	as ordered	1	CANOPY FABRIC/BUNGEE CARTON 30' X 116'' <i>Consisting of:</i>
10	as ordered	1	CANOPY FABRIC 30' X 116''
11	6436905	8	CANOPY CORNER BUNGEE CORD 9''
12	6403599	1	CANOPY VELCRO 6 FT. STRIP

4.3.8 #3603549 Canopy Bundle 30' X 124''

REF #	PART #	QTY	DESCRIPTION
1	3603932	2	CANOPY END STRINGER ASSY RH 115''
2	3603933	2	CANOPY END STRINGER ASSY LH 115''
3	3603570	2	CANOPY CENTER STRINGER 30'
4	3603640	2	CANOPY END CAP 124''
5	3603599	15	CANOPY RIB 124''
6	3603643	2	CANOPY END CENTER BAND 120''
7	3603588	1	CANOPY MIDDLE CENTER BAND 121-1/2''
8	3623930	4	CANOPY EXTENSION LEG 4'
13	3603594	2	CANOPY BRACE 84''
13	3605953	2	CANOPY BRACE 108''
	3603717	1	CANOPY CARTON OF PARTS 30' (SEE SECTION 4.5.1)
	as ordered	1	CANOPY FABRIC/BUNGEE CARTON 30' X 124'' <i>Consisting of:</i>
10	as ordered	1	CANOPY FABRIC 30' X 124''
11	6436905	8	CANOPY CORNER BUNGEE CORD 9''
12	6403599	1	CANOPY VELCRO 6 FT. STRIP

4.3.9 #3603550 Canopy Bundle 32' X 124''

REF #	PART #	QTY	DESCRIPTION
1	3603932	2	CANOPY END STRINGER ASSY RH 115''
2	3603933	2	CANOPY END STRINGER ASSY LH 115''
3	3603562	2	CANOPY CENTER STRINGER 32'
4	3603640	2	CANOPY END CAP 124''
5	3603599	15	CANOPY RIB 124''
6	3603643	2	CANOPY END CENTER BAND 120''
7	3603563	2	CANOPY MIDDLE CENTER BAND 75''
8	3623930	4	CANOPY EXTENSION LEG 4'
13	3603594	2	CANOPY BRACE 84''
13	3605953	2	CANOPY BRACE 108''
	3603717	1	CANOPY CARTON OF PARTS 30-34' (SEE SECTION 4.5.1)

	as ordered	1	CANOPY FABRIC/BUNGEE CARTON 32' X 124" Consisting of:
10	as ordered	1	CANOPY FABRIC 32' X 124"
11	6436905	8	CANOPY CORNER BUNGEE CORD 9"
12	6403599	1	CANOPY VELCRO 6 FT. STRIP

4.3.10 #3603551 Canopy Bundle 34' X 124"

REF #	PART #	QTY	DESCRIPTION
1	3603932	2	CANOPY END STRINGER ASSY RH 115"
2	3603933	2	CANOPY END STRINGER ASSY LH 115"
3	3603560	2	CANOPY CENTER STRINGER 34'
4	3603640	2	CANOPY END CAP 124"
5	3603599	16	CANOPY RIB 124"
6	3603643	2	CANOPY END CENTER BAND 120"
7	3603561	2	CANOPY MIDDLE CENTER BAND 87"
8	3623930	4	CANOPY EXTENSION LEG 4'
13	3603594	2	CANOPY BRACE 84"
13	3605953	2	CANOPY BRACE 108"
	3603717	1	CANOPY CARTON OF PARTS 30-34' (SEE SECTION 4.5.1)
	as ordered	1	CANOPY FABRIC/BUNGEE CARTON 34' X 124" Consisting of:
10	as ordered	1	CANOPY FABRIC 30' X 124"
11	6436905	8	CANOPY CORNER BUNGEE CORD 9"
12	6403599	1	CANOPY VELCRO 6 FT. STRIP

4.4 CANOPY CARTON OF PARTS AND BAG OF BOLTS 18'-24'

4.4.1 #3603616 Carton of Parts

REF #	PART #	QTY	DESCRIPTION
14	3603586	4	CANOPY TOP GUSSET PLATE
15	3603587	4	CANOPY BOTTOM GUSSET PLATE
16	9703593	20	THREE HOLE PLATE
17	6403795	4	PLASTIC CAP 1-1/2 X 3
	3606562	1	CANOPY BAG OF BOLTS 18'-24' Consisting of:
18	5806248	2	3/8-16 X 1-1/4 HEX HEAD CAP SCREW
19	5806255	12	3/8-16 X 3 HEX HEAD CAP SCREW
20	5806259	16	3/8-16 X 4 HEX HEAD CAP SCREW
21	5806261	12	3/8-16 X 4-1/2 HEX HEAD CAP SCREW
22	5806141	42	3/8-16 LOCKNUT
23	5806287	4	1/2-13 X 2-3/4 HEX HEAD CAP SCREW
24	5806142	4	1/2-13 LOCKNUT
25	5806356	14	1/4-20 X 1-1/2 CARRIAGE BOLT
26	5806394	14	1/4 EXTERNAL TOOTH WASHER
27	5806373	14	1/4-20 HEX NUT

4.5 CANOPY CARTON OF PARTS AND BAG OF BOLTS 26'-28'

4.5.1 #3603716 Carton of Parts

REF #	PART #	QTY	DESCRIPTION
14	3603586	4	CANOPY TOP GUSSET PLATE
15	3603587	4	CANOPY BOTTOM GUSSET PLATE
16	9703593	24	THREE HOLE PLATE
17	6403795	4	PLASTIC CAP 1-1/2 X 3
	3606563	1	CANOPY BAG OF BOLTS 26'-28' Consisting of:
18	5806248	4	3/8-16 X 1-1/4 HEX HEAD CAP SCREW
19	5806255	16	3/8-16 X 3 HEX HEAD CAP SCREW
20	5806259	16	3/8-16 X 4 HEX HEAD CAP SCREW
21	5806261	12	3/8-16 X 4-1/2 HEX HEAD CAP SCREW
22	5806141	48	3/8-16 LOCKNUT
23	5806287	4	1/2-13 X 2-3/4 HEX HEAD CAP SCREW
24	5806142	4	1/2-13 LOCKNUT
28	5806206	4	1/4-20 X 3/4 HEX HEAD CAP SCREW
25	5806356	16	1/4-20 X 1-1/2 CARRIAGE BOLT
26	5806394	20	1/4 EXTERNAL TOOTH WASHER
27	5806373	20	1/4 -20 HEX NUT

4.6 CANOPY CARTON OF PARTS AND BAG OF BOLTS 30-34'

4.6.1 #3603717 Carton of Parts

REF #	PART #	QTY	DESCRIPTION
14	3603586	4	CANOPY TOP GUSSET PLATE
15	3603587	4	CANOPY BOTTOM GUSSET PLATE
16	9703593	24	THREE HOLE PLATE
17	6403795	4	PLASTIC CAP 1-1/2 X 3
	3603727	1	CANOPY BAG OF BOLTS 30' Consisting of:
18	5806248	4	3/8-16 X 1-1/4 HEX HEAD CAP SCREW
19	5806255	16	3/8-16 X 3 HEX HEAD CAP SCREW
20	5806259	16	3/8-16 X 4 HEX HEAD CAP SCREW
21	5806261	12	3/8-16 X 4-1/2 HEX HEAD CAP SCREW
22	5806141	48	3/8-16 LOCKNUT
23	5806287	4	1/2-13 X 2-3/4 HEX HEAD CAP SCREW
24	5806142	4	1/2-13 LOCKNUT
28	5806206	2	1/4-20 X 3/4 HEX HEAD CAP SCREW
25	5806356	18	1/4-20 X 1-1/2 CARRIAGE BOLT
26	5806394	20	1/4 EXTERNAL TOOTH WASHER
27	5806373	20	1/4-20 HEX NUT